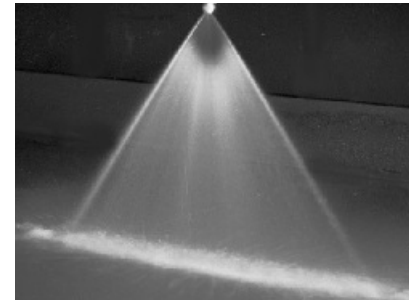
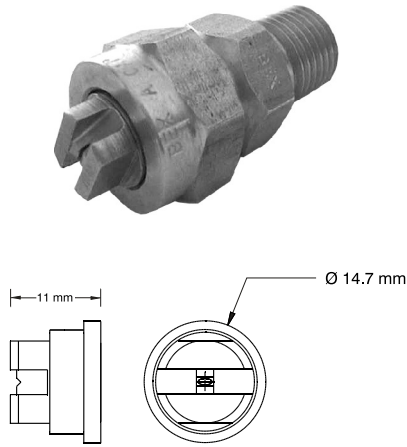


BEX F serie vlakstraalsproeiers vervolg

VLAKSTRAAL



Sproei- hoek bij 3 bar	Capaciteits- nummer	Aansl. buiten- draad BSPT	equivalent boring Ø in mm	Capaciteit in liters per minuut bij verschillende drücken in bar													Sproeihoek		
				0,3 bar	0,5 bar	0,7 bar	1 bar	1,5 bar	2 bar	3 bar	4 bar	5 bar	7 bar	10 bar	20 bar	30 bar	1,5 bar	3 bar	5 bar
15°	B1/8F15015	1/8	0.79	0.19	0.24	0.29	0.34	0.42	0.48	0.59	0.68	0.76	0.90	1.1	1.5	1.84	10°	15°	21°
	B1/4F15015	1/8	0.79	0.19	0.24	0.29	0.34	0.42	0.48	0.59	0.68	0.76	0.90	1.1	1.5	1.84	10°	15°	21°
	B1/8F1502	1/8	0.91	0.25	0.32	0.38	0.46	0.56	0.64	0.79	0.91	1.0	1.2	1.4	2.0	2.45	9°	15°	22°
	B1/4F1502	1/8	0.91	0.25	0.32	0.38	0.46	0.56	0.64	0.79	0.91	1.0	1.2	1.4	2.0	2.45	9°	15°	22°
	B1/8F1503	1/8	1.1	0.37	0.48	0.57	0.68	0.84	0.97	1.18	1.37	1.53	1.81	2.2	3.10	3.80	9°	15°	20°
	B1/4F1503	1/8	1.1	0.37	0.48	0.57	0.68	0.84	0.97	1.18	1.37	1.53	1.81	2.2	3.10	3.80	9°	15°	20°
	B1/8F1504	1/8	1.2	0.5	0.64	0.76	0.91	1.12	1.29	1.58	1.82	2.0	2.4	2.9	4.1	5.0	10°	15°	19°
	B1/4F1504	1/8	1.2	0.5	0.64	0.76	0.91	1.12	1.29	1.58	1.82	2.0	2.4	2.9	4.1	5.0	10°	15°	19°
	B1/8F1505	1/8	1.35	0.62	0.81	0.95	1.14	1.40	1.61	1.97	2.28	2.55	3.01	3.6	5.1	6.2	10°	15°	20°
	B1/4F1505	1/4	1.35	0.62	0.81	0.95	1.14	1.40	1.61	1.97	2.28	2.55	3.01	3.6	5.1	6.2	10°	15°	20°
	B1/8F1506	1/8	1.47	0.75	0.97	1.14	1.37	1.67	1.93	2.37	2.73	3.06	3.6	4.3	6.1	7.5	11°	15°	24°
	B1/4F1506	1/4	1.47	0.75	0.97	1.14	1.37	1.67	1.93	2.37	2.73	3.06	3.6	4.3	6.1	7.5	11°	15°	24°
	B1/8F1508	1/8	1.70	1.00	1.29	1.53	1.82	2.23	2.58	3.2	3.6	4.1	4.8	5.8	8.2	10.0	11°	15°	21°
	B1/4F1508	1/4	1.70	1.00	1.29	1.53	1.82	2.23	2.58	3.2	3.6	4.1	4.8	5.8	8.2	10.0	11°	15°	21°
	B1/8F1510	1/8	1.91	1.25	1.61	1.91	2.28	2.79	3.2	3.9	4.6	5.1	6.0	7.2	10.2	12.5	13°	15°	16°
	B1/4F1510	1/4	1.91	1.25	1.61	1.91	2.28	2.79	3.2	3.9	4.6	5.1	6.0	7.2	10.2	12.5	13°	15°	16°
	B1/8F1515	1/8	2.31	1.87	2.42	2.86	3.4	4.2	4.8	5.9	6.8	7.6	9.0	10.8	15.3	18.7	11°	15°	20°
	B1/4F1515	1/4	2.31	1.87	2.42	2.86	3.4	4.2	4.8	5.9	6.8	7.6	9.0	10.8	15.3	18.7	11°	15°	20°
	B3/8F1515	3/8	2.31	1.87	2.42	2.86	3.4	4.2	4.8	5.9	6.8	7.6	9.0	10.8	15.3	18.7	11°	15°	20°
	B1/8F1520	1/8	2.67	2.50	3.2	3.8	4.6	5.6	6.4	7.9	9.1	10.2	12.1	14.4	20.4	25.0	11°	15°	20°
B1/4F1520	1/4	2.67	2.50	3.2	3.8	4.6	5.6	6.4	7.9	9.1	10.2	12.1	14.4	20.4	25.0	11°	15°	20°	
B3/8F1520	3/8	2.67	2.50	3.2	3.8	4.6	5.6	6.4	7.9	9.1	10.2	12.1	14.4	20.4	25.0	11°	15°	18°	
B1/8F1530	1/8	3.28	3.7	4.8	5.7	6.8	8.4	9.7	11.8	13.7	15.3	18.1	21.6	30.6	37.4	11°	15°	18°	
B1/4F1530	1/4	3.28	3.7	4.8	5.7	6.8	8.4	9.7	11.8	13.7	15.3	18.1	21.6	30.6	37.4	12°	15°	18°	
B3/8F1530	3/8	3.28	3.7	4.8	5.7	6.8	8.4	9.7	11.8	13.7	15.3	18.1	21.6	30.6	37.4	12°	15°	18°	
B1/4F1540	1/4	3.78	5.0	6.4	7.6	9.1	11.2	12.9	15.8	18.2	20.4	24.1	28.8	41	50	12°	15°	18°	
B3/8F1540	3/8	3.78	5.0	6.4	7.6	9.1	11.2	12.9	15.8	18.2	20.4	24.1	28.8	41	50	12°	15°	19°	
B1/4F1550	1/4	4.24	6.2	8.1	9.5	11.4	14.0	16.1	19.7	22.8	25.5	30.1	36	51	62	12°	15°	19°	
B3/8F1550	3/8	4.24	6.2	8.1	9.5	11.4	14.0	16.1	19.7	22.8	25.5	30.1	36	51	62	12°	15°	19°	
B1/4F1560	1/4	4.62	7.5	9.7	11.4	13.7	16.7	19.3	23.7	27.3	30.6	36	43	61	75	12°	15°	17°	
B3/8F1560	3/8	4.62	7.5	9.7	11.4	13.7	16.7	19.3	23.7	27.3	30.6	36	43	61	75	12°	15°	17°	
B1/4F1570	1/4	5.00	8.7	11.3	13.3	16.0	19.5	22.6	27.6	32	36	42	50	71	87	12°	15°	19°	
B3/8F1570	3/8	5.00	8.7	11.3	13.3	16.0	19.5	22.6	27.6	32	36	42	50	71	87	12°	15°	19°	
B3/8F15100	3/8	5.99	12.5	16.1	19.1	22.8	27.9	32	39	46	51	60	72	102	125	12°	15°	19°	
B1/2F15100	1/2	5.99	12.5	16.1	19.1	22.8	27.9	32	39	46	51	60	72	102	125	12°	15°	19°	
B3/8F15120	3/8	6.55	15.0	19.3	22.9	27.3	33	39	47	55	61	72	86	122	150	12°	15°	19°	
B1/2F15120	1/2	6.55	15.0	19.3	22.9	27.3	33	39	47	55	61	72	86	122	150	12°	15°	18°	
B3/8F15150	3/8	7.34	18.7	24.2	28.6	34	42	48	59	68	76	90	108	153	187	12°	15°	18°	
B1/2F15150	1/2	7.34	18.7	24.2	28.6	34	42	48	59	68	76	90	108	153	187	12°	15°	18°	
B1/2F15200	1/2	8.46	25.0	32.2	38	46	56	64	79	91	102	121	144	204	250	13°	15°	17°	

Enkele maten zijn slechts leverbaar in kunststof.

Voor levering in NPT dient de B voorafgaande aan het schroefdraad te worden vervangen door een N.

Vervolg op de volgende pagina