

# GyraFlex Model 'M'

The spray pattern of model 'M' is covering a 180° area spraying upwards. The GyraFlex nozzle is a self powered rotating nozzle without any internal parts or gaskets. The position of the nozzles can be adjusted in order to clean specific areas and/or to adjust the rotation speed. The unique design makes the nozzle extremely efficient in many CIP and cleaning installations. The controlled constant speed of the GyraFlex nozzles results in a better performance at the same operating conditions, or same performance using less water and/or lower operating pressure than conventional nozzles.

For a high impact, model 'M' uses two flat spray nozzles. The flat spray nozzles can be positioned in such a way that a 180° area upwards can be covered. The reactionary force of the flat spray nozzles makes the head rotate at a constant speed. The GyraFlex nozzle will fit all standard

flat spray nozzles in various spray angles and capacities. At pressures below 5 bar we recommend 95° flat spray nozzles. At pressures higher than 5 bar 80° flat spray nozzles will give the best results. For more information check the tables below or contact your local supplier.

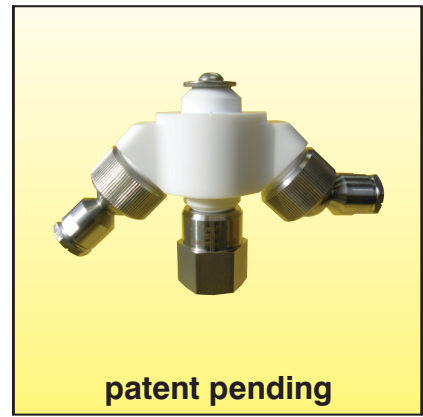
In its smallest position model 'M' will fit through a 105 mm. inlet, in its widest position the nozzle will fit through a 160 mm. inlet.

Operating pressure range is 2 - 20 bar. Standard materials are PTFE and AISI 304 or AISI 316. Minimum working temperature is 2°C, maximum working temperature is 200°C.

Model 'M' is particularly suitable to clean 180° areas in tanks.

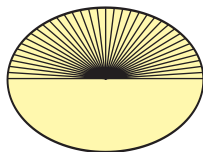
It can also be used in combination with model 'W'.

The GyraFlex nozzle performs really well covering large areas up to 6 meters wide and 1.5 meters high.



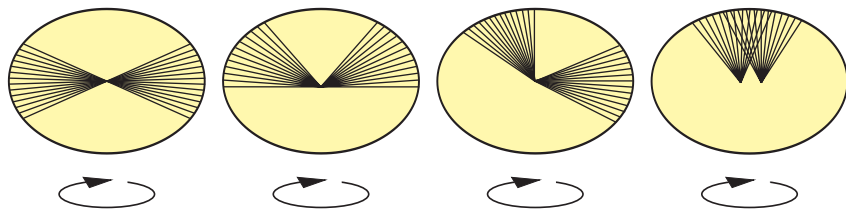
Spraying foam is no problem for this flexible unit.

Standard coverage



180°  
up

Other possible spray patterns



▲	Capacity in liters per minute at various pressures in bar.							
	Model	2 bar	3 bar	5 bar	7 bar	10 bar	15 bar	20 bar
40°	GFM2-4010	7.0	8.6	11.1	13.2	15.8	19.3	22.3
	GFM2-4015	10.1	12.4	16.1	19.0	22.7	27.8	32.2
	GFM2-4020	13.5	16.6	21.4	25.4	30.3	37.1	42.9
	GFM2-4030	19.8	24.2	31.3	37.0	44.2	54.2	62.6
	GFM2-4040	26.3	32.2	41.5	49.2	58.8	72.0	83.1
	GFM2-4050	32.8	40.1	51.8	61.3	73.3	89.8	103.7
	GFM2-4060	39.3	48.1	62.1	73.5	87.9	107.6	124.3
	GFM2-4070	45.8	56.1	72.4	85.2	102.4	125.4	144.9

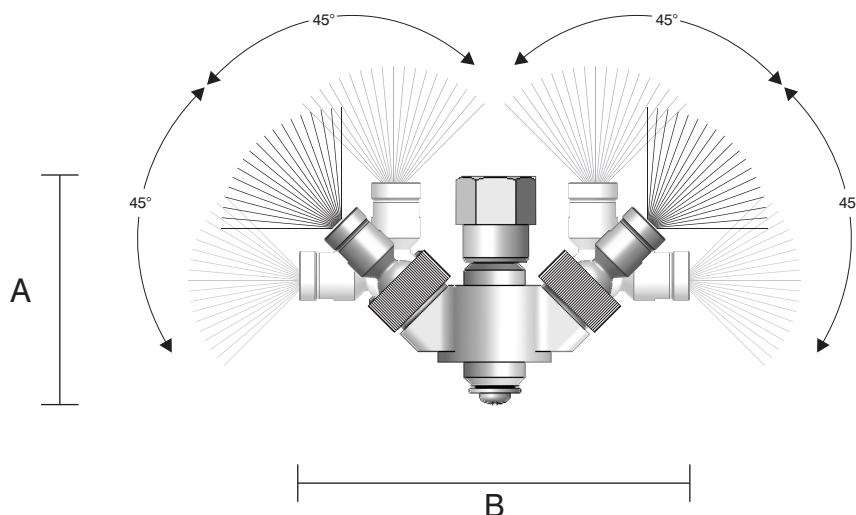
▲	Capacity in liters per minute at various pressures in bar.							
	Model	2 bar	3 bar	5 bar	7 bar	10 bar	15 bar	20 bar
50°	GFM2-5010	7.0	8.6	11.1	13.2	15.8	19.3	22.3
	GFM2-5015	10.1	12.4	16.1	19.0	22.7	27.8	32.2
	GFM2-5020	13.5	16.6	21.4	25.4	30.3	37.1	42.9
	GFM2-5030	19.8	24.2	31.3	37.0	44.2	54.2	62.6
	GFM2-5040	26.3	32.2	41.5	49.2	58.8	72.0	83.1
	GFM2-5050	32.8	40.1	51.8	61.3	73.3	89.8	103.7
	GFM2-5060	39.3	48.1	62.1	73.5	87.9	107.6	124.3
	GFM2-5070	45.8	56.1	72.4	85.2	102.4	125.4	144.9

	Capacity in liters per minute at various pressures in bar.							
	Model	2 bar	3 bar	5 bar	7 bar	10 bar	15 bar	20 bar
65°	GFM2-6510	7.0	8.6	11.1	13.2	15.8	19.3	22.3
	GFM2-6515	10.1	12.4	16.1	19.0	22.7	27.8	32.2
	GFM2-6520	13.5	16.6	21.4	25.4	30.3	37.1	42.9
	GFM2-6530	19.8	24.2	31.3	37.0	44.2	54.2	62.6
	GFM2-6540	26.3	32.2	41.5	49.2	58.8	72.0	83.1
	GFM2-6550	32.8	40.1	51.8	61.3	73.3	89.8	103.7
	GFM2-6560	39.3	48.1	62.1	73.5	87.9	107.6	124.3
	GFM2-6570	45.8	56.1	72.4	85.2	102.4	125.4	144.9

	Capacity in liters per minute at various pressures in bar.							
	Model	2 bar	3 bar	5 bar	7 bar	10 bar	15 bar	20 bar
80°	GFM2-8010	7.0	8.6	11.1	13.2	15.8	19.3	22.3
	GFM2-8015	10.1	12.4	16.1	19.0	22.7	27.8	32.2
	GFM2-8020	13.5	16.6	21.4	25.4	30.3	37.1	42.9
	GFM2-8030	19.8	24.2	31.3	37.0	44.2	54.2	62.6
	GFM2-8040	26.3	32.2	41.5	49.2	58.8	72.0	83.1
	GFM2-8050	32.8	40.1	51.8	61.3	73.3	89.8	103.7
	GFM2-8060	39.3	48.1	62.1	73.5	87.9	107.6	124.3
	GFM2-8070	45.8	56.1	72.4	85.2	102.4	125.4	144.9

	Capacity in liters per minute at various pressures in bar.							
	Model	2 bar	3 bar	5 bar	7 bar	10 bar	15 bar	20 bar
95°	GFM2-9510	7.0	8.6	11.1	13.2	15.8	19.3	22.3
	GFM2-9515	10.1	12.4	16.1	19.0	22.7	27.8	32.2
	GFM2-9520	13.5	16.6	21.4	25.4	30.3	37.1	42.9
	GFM2-9530	19.8	24.2	31.3	37.0	44.2	54.2	62.6
	GFM2-9540	26.3	32.2	41.5	49.2	58.8	72.0	83.1
	GFM2-9550	32.8	40.1	51.8	61.3	73.3	89.8	103.7
	GFM2-9560	39.3	48.1	62.1	73.5	87.9	107.6	124.3
	GFM2-9570	45.8	56.1	72.4	85.2	102.4	125.4	144.9

	Capacity in liters per minute at various pressures in bar.							
	Model	2 bar	3 bar	5 bar	7 bar	10 bar	15 bar	20 bar
110°	GFM2-11010	7.0	8.6	11.1	13.2	15.8	19.3	22.3
	GFM2-11015	10.1	12.4	16.1	19.0	22.7	27.8	32.2
	GFM2-11020	13.5	16.6	21.4	25.4	30.3	37.1	42.9
	GFM2-11030	19.8	24.2	31.3	37.0	44.2	54.2	62.6
	GFM2-11040	26.3	32.2	41.5	49.2	58.8	72.0	83.1
	GFM2-11050	32.8	40.1	51.8	61.3	73.3	89.8	103.7



<b>Model no.</b>	GFM2-xxxx
<b>Connection</b>	G½" Female
<b>Weight</b>	0.5 kg
<b>Size A</b>	90 mm.
<b>Size B</b>	160 mm.
<b>Hex.</b>	27 mm.