

GyraFlex Model 'Triple A'

The GyraFlex nozzle is a self powered rotating nozzle without any internal parts or gaskets. The position of the nozzles can be adjusted in order to clean specific areas and/or to adjust the rotation speed. The unique design makes the nozzle extremely efficient in many CIP and cleaning installations.

The controlled constant speed of the GyraFlex nozzles results in a better performance at the same operating conditions, or same performance using less water and/or lower operating pressure than conventional nozzles.

For a high impact, the 'Triple A' uses 3 flat spray nozzles. The nozzles can be positioned in such a way that the spray patterns will cover a full 360° area and will rotate slowly at a constant speed.

For pressures above 5 bar, 65° flat spray nozzles are recommended. For pressures lower than 5 bar, 80° flat spray nozzles should be used.

The GyraFlex nozzle fits all standard flat spray nozzles in various spray angles and capacities. At pressures below 5 bar we recommend 80° flat spray nozzles. At pressures higher than 5 bar 65° flat spray nozzles will give the best results. For more information check the tables below or contact your local supplier.

In its smallest position model 'Triple A' will fit through a 115 mm. inlet, in its widest position the nozzle will fit through a 160 mm. inlet.

Operating pressure range is 2 - 20 bar. Standard materials are PTFE and AISI 304 or AISI 316. Minimum working temperature is 2°C, maximum working temperature is 200°C.

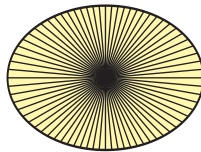
Model 'Triple A' is particularly suitable to clean tanks with a diameter up to 3 meters.

It can also be used in combination with model 'W'.



The GyraFlex nozzle performs really well spraying foam, covering large areas.

Standard coverage



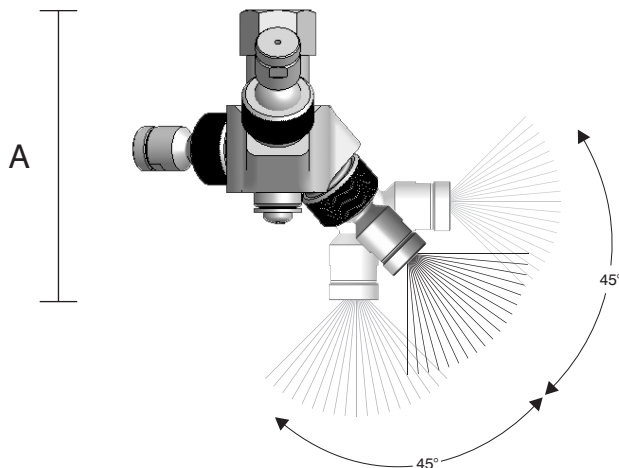
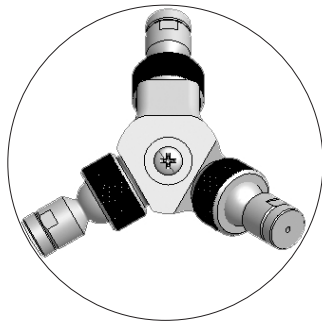
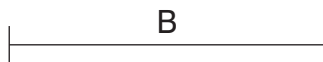
360°
full

		Capacity in litres per minute at various pressures in bar.							
		Model	2 bar	3 bar	5 bar	7 bar	10 bar	15 bar	20 bar
65°	GFA3-6510	10.3	12.6	16.3	19.3	23.0	28.2	32.6	
	GFA3-6515	14.9	18.3	23.7	28.0	33.5	41.0	47.4	
	GFA3-6520	20.0	24.6	31.7	37.5	44.9	55.0	63.5	
	GFA3-6530	29.4	36.0	46.5	55.0	65.7	80.5	93.0	
	GFA3-6540	39.1	47.9	61.9	73.2	87.6	107.2	123.8	
	GFA3-6550	48.9	59.9	77.3	91.5	109.4	134.0	154.7	
	GFA3-6560	58.6	71.8	92.8	109.8	131.2	160.7	185.5	
	GFA3-6570	68.4	83.8	108.2	128.0	153.0	187.4	216.4	

		Capacity in litres per minute at various pressures in bar.							
		Model	2 bar	3 bar	5 bar	7 bar	10 bar	15 bar	20 bar
80°	GFA3-8010	10.3	12.6	16.3	19.3	23.0	28.2	32.6	
	GFA3-8015	14.9	18.3	23.7	28.0	33.5	41.0	47.4	
	GFA3-8020	20.0	24.6	31.7	37.5	44.9	55.0	63.5	
	GFA3-8030	29.4	36.0	46.5	55.0	65.7	80.5	93.0	
	GFA3-8040	39.1	47.9	61.9	73.2	87.6	107.2	123.8	
	GFA3-8050	48.9	59.9	77.3	91.5	109.4	134.0	154.7	
	GFA3-8060	58.6	71.8	92.8	109.8	131.2	160.7	185.5	
	GFA3-8070	68.4	83.8	108.2	128.0	153.0	187.4	216.4	

		Capacity in litres per minute at various pressures in bar.						
		Model	2 bar	3 bar	5 bar	7 bar	10 bar	15 bar
95°	GFA3-9510	10.3	12.6	16.3	19.3	23.0	28.2	32.6
	GFA3-9515	14.9	18.3	23.7	28.0	33.5	41.0	47.4
	GFA3-9520	20.0	24.6	31.7	37.5	44.9	55.0	63.5
	GFA3-9530	29.4	36.0	46.5	55.0	65.7	80.5	93.0
	GFA3-9540	39.1	47.9	61.9	73.2	87.6	107.2	123.8
	GFA3-9550	48.9	59.9	77.3	91.5	109.4	134.0	154.7
	GFA3-9560	58.6	71.8	92.8	109.8	131.2	160.7	185.5
	GFA3-9570	68.4	83.8	108.2	128.0	153.0	187.4	216.4

		Capacity in litres per minute at various pressures in bar.						
		Model	2 bar	3 bar	5 bar	7 bar	10 bar	15 bar
110°	GFA3-11010	10.3	12.6	16.3	19.3	23.0	28.2	32.6
	GFA3-11015	14.9	18.3	23.7	28.0	33.5	41.0	47.4
	GFA3-11020	20.0	24.6	31.7	37.5	44.9	55.0	63.5
	GFA3-11030	29.4	36.0	46.5	55.0	65.7	80.5	93.0
	GFA3-11040	39.1	47.9	61.9	73.2	87.6	107.2	123.8
	GFA3-11050	48.9	59.9	77.3	91.5	109.4	134.0	154.7



Model no.	GFA2-xxxx
Connection	G $\frac{1}{2}$ " Female
Weight	0.6 kg
Size A	115 mm.
Size B	160 mm.
Hex.	27 mm.