

GyraFlex Model 'V'

Model 'V' is developed to cover a 180° area spraying downwards. Just as the other GyraFlex nozzles this model is a self powered rotating nozzle without any internal parts or gaskets. The position of the nozzles can be adjusted in order to clean specific areas and/or to adjust the rotation speed. The unique design makes the nozzle extremely efficient in many CIP and cleaning installations.

The controlled constant speed of the GyraFlex nozzles results in better performance at the same operating conditions, or same performance using less water and/or lower operating pressure than conventional nozzles.

For a high impact, model 'V' uses two flat spray nozzles which are positioned 45° upwards and can be adjusted over an area of 90°. The flat spray nozzles can be positioned in such a way that a 180° area downwards can be covered.

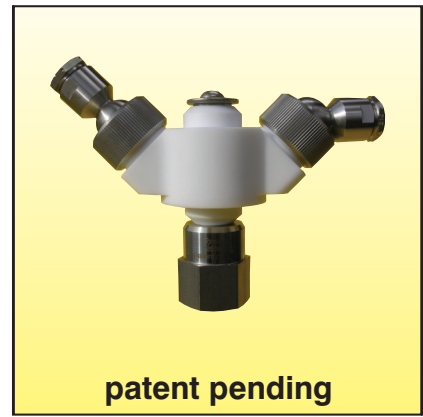
The reactionary force of the flat spray nozzles makes the head rotate at a constant speed.

The GyraFlex nozzle will fit all standard flat spray nozzles in various spray angles and capacities. At pressures below 5 bar we recommend 95° flat spray nozzles. At pressures higher than 5 bar 80° flat spray nozzles will give the best results. For more information check the tables below or contact your local supplier.

In its smallest position model 'V' will fit through a 105 mm. inlet, in its widest position the nozzle will fit through a 160 mm. inlet.

Operating pressure range is 2 - 20 bar. Standard materials are PTFE and AISI 304 or AISI 316. Minimum working temperature is 2°C, maximum working temperature is 200°C.

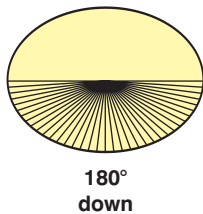
Model 'V' is designed to clean 180° areas in tanks.



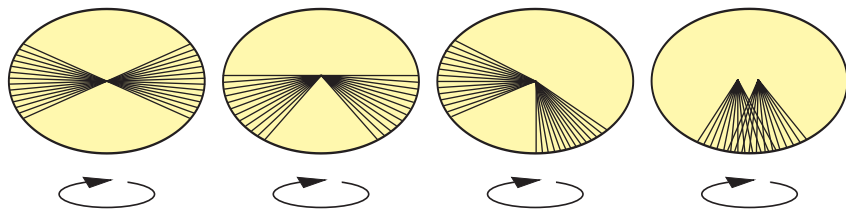
The nozzle can also be used in combination with model 'W'.

The GyraFlex nozzle performs really well covering large areas up to 6 meters wide and 1.5 meters high. Spraying foam is no problem for this flexible unit.

Standard coverage



Other possible spray patterns



		Capacity in liters per minute at various pressures in bar.							
		Model	2 bar	3 bar	5 bar	7 bar	10 bar	15 bar	20 bar
40°	GFV2-4010		7.0	8.6	11.1	13.2	15.8	19.3	22.3
	GFV2-4015		10.1	12.4	16.1	19.0	22.7	27.8	32.2
	GFV2-4020		13.5	16.6	21.4	25.4	30.3	37.1	42.9
	GFV2-4030		19.8	24.2	31.3	37.0	44.2	54.2	62.6
	GFV2-4040		26.3	32.2	41.5	49.2	58.8	72.0	83.1
	GFV2-4050		32.8	40.1	51.8	61.3	73.3	89.8	103.7
	GFV2-4060		39.3	48.1	62.1	73.5	87.9	107.6	124.3
	GFV2-4070		45.8	56.1	72.4	85.2	102.4	125.4	144.9

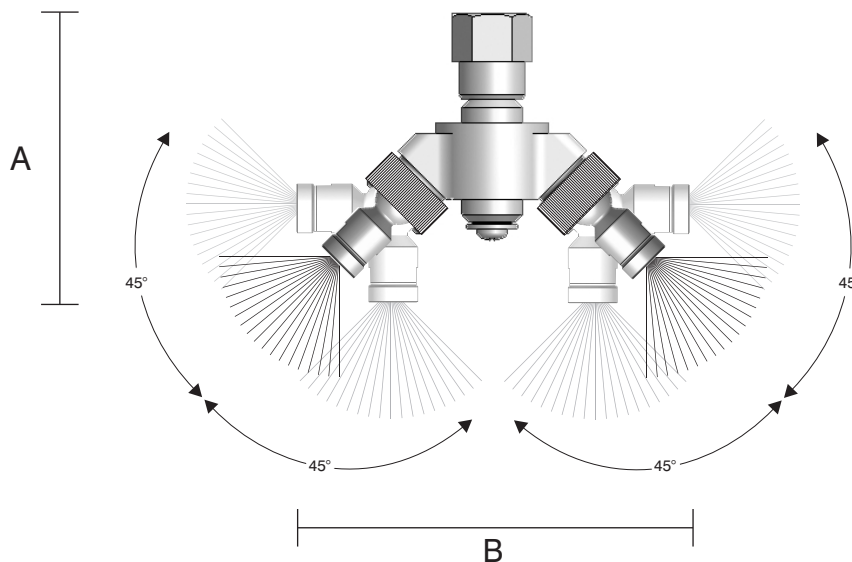
		Capacity in liters per minute at various pressures in bar.							
		Model	2 bar	3 bar	5 bar	7 bar	10 bar	15 bar	20 bar
50°	GFV2-5010		7.0	8.6	11.1	13.2	15.8	19.3	22.3
	GFV2-5015		10.1	12.4	16.1	19.0	22.7	27.8	32.2
	GFV2-5020		13.5	16.6	21.4	25.4	30.3	37.1	42.9
	GFV2-5030		19.8	24.2	31.3	37.0	44.2	54.2	62.6
	GFV2-5040		26.3	32.2	41.5	49.2	58.8	72.0	83.1
	GFV2-5050		32.8	40.1	51.8	61.3	73.3	89.8	103.7
	GFV2-5060		39.3	48.1	62.1	73.5	87.9	107.6	124.3
	GFV2-5070		45.8	56.1	72.4	85.2	102.4	125.4	144.9

	Capacity in liters per minute at various pressures in bar.							
	Model	2 bar	3 bar	5 bar	7 bar	10 bar	15 bar	20 bar
65°	GFV2-6510	7.0	8.6	11.1	13.2	15.8	19.3	22.3
	GFV2-6515	10.1	12.4	16.1	19.0	22.7	27.8	32.2
	GFV2-6520	13.5	16.6	21.4	25.4	30.3	37.1	42.9
	GFV2-6530	19.8	24.2	31.3	37.0	44.2	54.2	62.6
	GFV2-6540	26.3	32.2	41.5	49.2	58.8	72.0	83.1
	GFV2-6550	32.8	40.1	51.8	61.3	73.3	89.8	103.7
	GFV2-6560	39.3	48.1	62.1	73.5	87.9	107.6	124.3
	GFV2-6570	45.8	56.1	72.4	85.2	102.4	125.4	144.9

	Capacity in liters per minute at various pressures in bar.							
	Model	2 bar	3 bar	5 bar	7 bar	10 bar	15 bar	20 bar
80°	GFV2-8010	7.0	8.6	11.1	13.2	15.8	19.3	22.3
	GFV2-8015	10.1	12.4	16.1	19.0	22.7	27.8	32.2
	GFV2-8020	13.5	16.6	21.4	25.4	30.3	37.1	42.9
	GFV2-8030	19.8	24.2	31.3	37.0	44.2	54.2	62.6
	GFV2-8040	26.3	32.2	41.5	49.2	58.8	72.0	83.1
	GFV2-8050	32.8	40.1	51.8	61.3	73.3	89.8	103.7
	GFV2-8060	39.3	48.1	62.1	73.5	87.9	107.6	124.3
	GFV2-8070	45.8	56.1	72.4	85.2	102.4	125.4	144.9

	Capacity in liters per minute at various pressures in bar.							
	Model	2 bar	3 bar	5 bar	7 bar	10 bar	15 bar	20 bar
95°	GFV2-9510	7.0	8.6	11.1	13.2	15.8	19.3	22.3
	GFV2-9515	10.1	12.4	16.1	19.0	22.7	27.8	32.2
	GFV2-9520	13.5	16.6	21.4	25.4	30.3	37.1	42.9
	GFV2-9530	19.8	24.2	31.3	37.0	44.2	54.2	62.6
	GFV2-9540	26.3	32.2	41.5	49.2	58.8	72.0	83.1
	GFV2-9550	32.8	40.1	51.8	61.3	73.3	89.8	103.7
	GFV2-9560	39.3	48.1	62.1	73.5	87.9	107.6	124.3
	GFV2-9570	45.8	56.1	72.4	85.2	102.4	125.4	144.9

	Capacity in liters per minute at various pressures in bar.							
	Model	2 bar	3 bar	5 bar	7 bar	10 bar	15 bar	20 bar
110°	GFV2-11010	7.0	8.6	11.1	13.2	15.8	19.3	22.3
	GFV2-11015	10.1	12.4	16.1	19.0	22.7	27.8	32.2
	GFV2-11020	13.5	16.6	21.4	25.4	30.3	37.1	42.9
	GFV2-11030	19.8	24.2	31.3	37.0	44.2	54.2	62.6
	GFV2-11040	26.3	32.2	41.5	49.2	58.8	72.0	83.1
	GFV2-11050	32.8	40.1	51.8	61.3	73.3	89.8	103.7



Model no.	GFV2-xxxx
Connection	G½" Female
Weight	0.5 kg
Size A	115 mm.
Size B	160 mm.
Hex.	27 mm.