

GyraFlex Model 'Z'

The GyraFlex nozzles are available in several models, each one covering different areas. They all are self powered rotating nozzles without any internal parts or gaskets. The position of the nozzles can be adjusted in order to clean specific areas and/or to adjust the rotation speed. The unique design makes the nozzle extremely efficient in many CIP and cleaning installations. The controlled constant speed of the GyraFlex nozzles results in a better performance at the same operating conditions, or same performance using less water and/or lower operating pressure than conventional nozzles.

For a high impact, model 'Z' uses two flat spray nozzles. One nozzle is positioned 45° upwards and on the opposite side the nozzle is positioned 45° downwards. Each nozzle can swivel 90° to cover a large area. The area covered depends on the spray angle of the flat spray nozzles. For

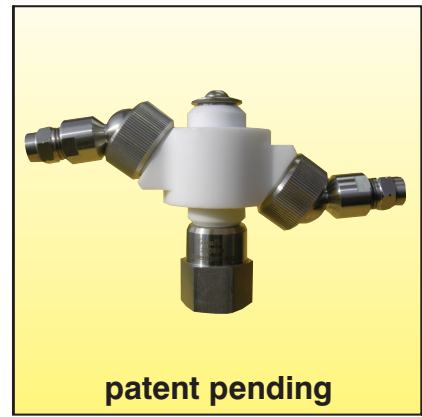
example two 110° flat spray nozzles can be positioned in such a way that the spray patterns will cover a full 360° area.

Using two 65° flat spray nozzles the GyraFlex can cover a 270° area upwards or a 270° area downwards.

The GyraFlex nozzle will fit all standard flat spray nozzles in various spray angles and capacities. At pressures below 5 bar we recommend 95° flat spray nozzles. At pressures higher than 5 bar 80° flat spray nozzles will give the best results. For more information check the tables below or contact your local supplier.

In its smallest position model 'Z' will fit through a 105 mm. inlet, in its widest position the nozzle will fit through a 160 mm. inlet.

Operating pressure range is 2 - 20 bar. Standard materials are PTFE with AISI 304 or AISI 316. Minimum working temperature is 2°C, maximum working temperature is 200°C.

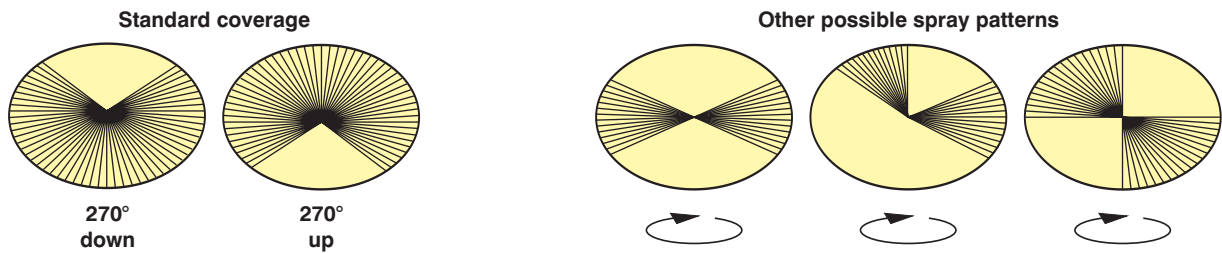


Model 'Z' is suited for cleaning particular areas up to 360° and is used in tanks and spiral freezers.

This model can also be used in combination with model 'W'.

The GyraFlex nozzle performs really well spraying water, covering large areas up to 6 meters wide and 1.5 meters high.

This nozzle is also ideal to cover large areas with foam.



▲	Capacity in liters per minute at various pressures in bar.							
	Model	2 bar	3 bar	5 bar	7 bar	10 bar	15 bar	20 bar
40°	GFZ2-4010	7.0	8.6	11.1	13.2	15.8	19.3	22.3
	GFZ2-4015	10.1	12.4	16.1	19.0	22.7	27.8	32.2
	GFZ2-4020	13.5	16.6	21.4	25.4	30.3	37.1	42.9
	GFZ2-4030	19.8	24.2	31.3	37.0	44.2	54.2	62.6
	GFZ2-4040	26.3	32.2	41.5	49.2	58.8	72.0	83.1
	GFZ2-4050	32.8	40.1	51.8	61.3	73.3	89.8	103.7
	GFZ2-4060	39.3	48.1	62.1	73.5	87.9	107.6	124.3
	GFZ2-4070	45.8	56.1	72.4	85.2	102.4	125.4	144.9

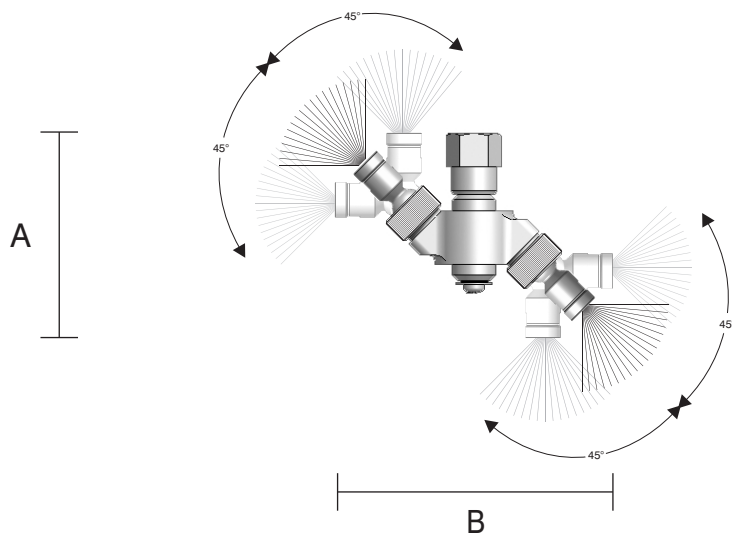
▲	Capacity in liters per minute at various pressures in bar.							
	Model	2 bar	3 bar	5 bar	7 bar	10 bar	15 bar	20 bar
50°	GFZ2-5010	7.0	8.6	11.1	13.2	15.8	19.3	22.3
	GFZ2-5015	10.1	12.4	16.1	19.0	22.7	27.8	32.2
	GFZ2-5020	13.5	16.6	21.4	25.4	30.3	37.1	42.9
	GFZ2-5030	19.8	24.2	31.3	37.0	44.2	54.2	62.6
	GFZ2-5040	26.3	32.2	41.5	49.2	58.8	72.0	83.1
	GFZ2-5050	32.8	40.1	51.8	61.3	73.3	89.8	103.7
	GFZ2-5060	39.3	48.1	62.1	73.5	87.9	107.6	124.3
	GFZ2-5070	45.8	56.1	72.4	85.2	102.4	125.4	144.9

	Capacity in liters per minute at various pressures in bar.							
	Model	2 bar	3 bar	5 bar	7 bar	10 bar	15 bar	20 bar
65°	GFZ2-6510	7.0	8.6	11.1	13.2	15.8	19.3	22.3
	GFZ2-6515	10.1	12.4	16.1	19.0	22.7	27.8	32.2
	GFZ2-6520	13.5	16.6	21.4	25.4	30.3	37.1	42.9
	GFZ2-6530	19.8	24.2	31.3	37.0	44.2	54.2	62.6
	GFZ2-6540	26.3	32.2	41.5	49.2	58.8	72.0	83.1
	GFZ2-6550	32.8	40.1	51.8	61.3	73.3	89.8	103.7
	GFZ2-6560	39.3	48.1	62.1	73.5	87.9	107.6	124.3
	GFZ2-6570	45.8	56.1	72.4	85.2	102.4	125.4	144.9

	Capacity in liters per minute at various pressures in bar.							
	Model	2 bar	3 bar	5 bar	7 bar	10 bar	15 bar	20 bar
80°	GFZ2-8010	7.0	8.6	11.1	13.2	15.8	19.3	22.3
	GFZ2-8015	10.1	12.4	16.1	19.0	22.7	27.8	32.2
	GFZ2-8020	13.5	16.6	21.4	25.4	30.3	37.1	42.9
	GFZ2-8030	19.8	24.2	31.3	37.0	44.2	54.2	62.6
	GFZ2-8040	26.3	32.2	41.5	49.2	58.8	72.0	83.1
	GFZ2-8050	32.8	40.1	51.8	61.3	73.3	89.8	103.7
	GFZ2-8060	39.3	48.1	62.1	73.5	87.9	107.6	124.3
	GFZ2-8070	45.8	56.1	72.4	85.2	102.4	125.4	144.9

	Capacity in liters per minute at various pressures in bar.							
	Model	2 bar	3 bar	5 bar	7 bar	10 bar	15 bar	20 bar
95°	GFZ2-9510	7.0	8.6	11.1	13.2	15.8	19.3	22.3
	GFZ2-9515	10.1	12.4	16.1	19.0	22.7	27.8	32.2
	GFZ2-9520	13.5	16.6	21.4	25.4	30.3	37.1	42.9
	GFZ2-9530	19.8	24.2	31.3	37.0	44.2	54.2	62.6
	GFZ2-9540	26.3	32.2	41.5	49.2	58.8	72.0	83.1
	GFZ2-9550	32.8	40.1	51.8	61.3	73.3	89.8	103.7
	GFZ2-9560	39.3	48.1	62.1	73.5	87.9	107.6	124.3
	GFZ2-9570	45.8	56.1	72.4	85.2	102.4	125.4	144.9

	Capacity in liters per minute at various pressures in bar.							
	Model	2 bar	3 bar	5 bar	7 bar	10 bar	15 bar	20 bar
110°	GFZ2-11010	7.0	8.6	11.1	13.2	15.8	19.3	22.3
	GFZ2-11015	10.1	12.4	16.1	19.0	22.7	27.8	32.2
	GFZ2-11020	13.5	16.6	21.4	25.4	30.3	37.1	42.9
	GFZ2-11030	19.8	24.2	31.3	37.0	44.2	54.2	62.6
	GFZ2-11040	26.3	32.2	41.5	49.2	58.8	72.0	83.1
	GFZ2-11050	32.8	40.1	51.8	61.3	73.3	89.8	103.7



Model no.	GFZ2-xxxx
Connection	G $\frac{1}{2}$ " Female
Weight	0.5 kg
Size A	115 mm.
Size B	160 mm.
Hex.	27 mm.