

# MiniGyraFlex Model 'Triple A'

The GyraFlex nozzle is a self powered rotating nozzle without any internal parts or gaskets. The position of the nozzles can be adjusted in order to clean specific areas and/or to adjust the rotation speed.

The controlled constant speed of the GyraFlex nozzles results in a better performance at the same operating conditions, or same performance using less water and/or lower operating pressure than conventional nozzles.

For a high impact the 'Triple A' uses 3 flat spray nozzles. The nozzles can be positioned in such a way that the spray patterns will cover a full 360° area and will rotate slowly at a constant speed. For pressures above 5 bars, 65° flat spray nozzles are recommended. For pressures lower than 5 bars, 80° flat spray nozzles should be used. The GyraFlex nozzle fits all 1/8" standard flat spray nozzles in various spray angles and capacities.

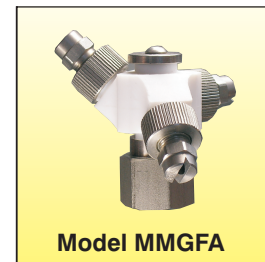
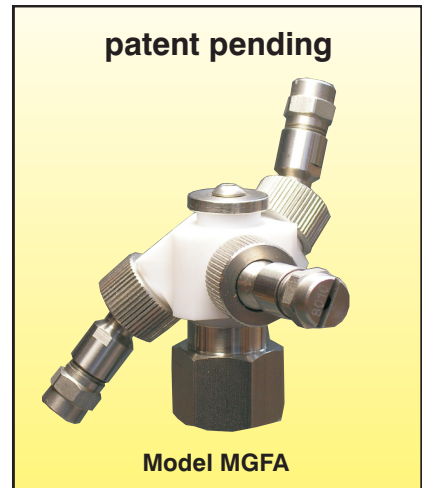
For more information check the table on page 19 and 20, or contact your local supplier.

In its smallest position model 'Triple A' will fit through a 85 mm. inlet, in its widest position the nozzle will fit through a 100 mm. inlet.

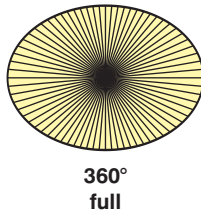
Operating pressure range is 2 – 20 bars. Standard materials are PTFE and AISI 304 or AISI 316.

Model 'Triple A' is particularly suitable to clean tanks with a diameter up to 2 meters.

The GyraFlex nozzle performs really well spraying foam, covering large areas.



Standard coverage

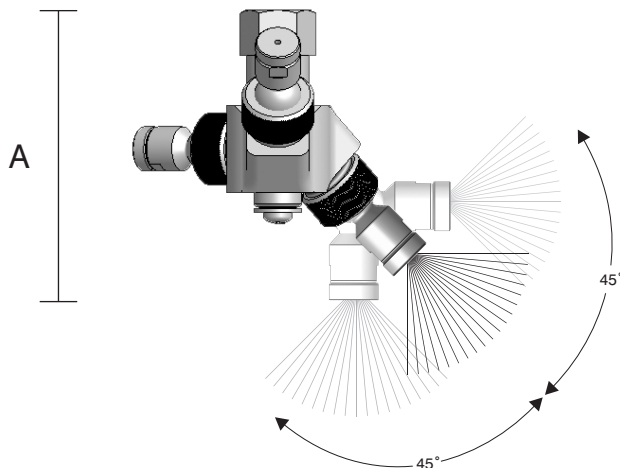
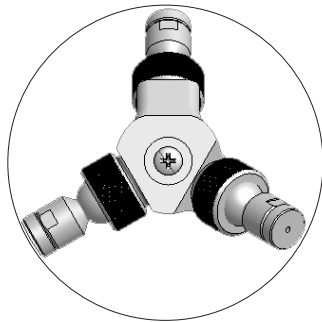
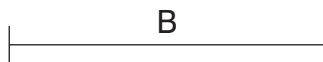


		Capacity in liters per minute at various pressures in bar.							
		Model	2 bar	3 bar	5 bar	7 bar	10 bar	15 bar	20 bar
65°	MGFA3-6505	5.2	6.4	8.3	9.8	11.7	14.3	16.6	
	MGFA3-6506	6.2	7.6	9.9	11.7	14.0	17.1	19.7	
	MGFA3-6508	8.2	10.1	13.0	15.4	18.3	22.5	25.9	
	MGFA3-6510	10.1	12.4	16.0	18.9	22.6	27.7	31.9	
	MGFA3-6515	14.9	18.2	23.5	27.8	33.2	40.7	47.0	
	MGFA3-6520	19.9	24.4	31.5	37.3	44.6	54.6	63.1	
	MGFA3-6530	29.3	35.9	46.3	54.8	65.5	80.2	92.6	

		Capacity in liters per minute at various pressures in bar.							
		Model	2 bar	3 bar	5 bar	7 bar	10 bar	15 bar	20 bar
80°	MGFA3-8005	5.2	6.4	8.3	9.8	11.7	14.3	16.6	
	MGFA3-8006	6.2	7.6	9.9	11.7	14.0	17.1	19.7	
	MGFA3-8008	8.2	10.1	13.0	15.4	18.3	22.5	25.9	
	MGFA3-8010	10.1	12.4	16.0	18.9	22.6	27.7	31.9	
	MGFA3-8015	14.9	18.2	23.5	27.8	33.2	40.7	47.0	
	MGFA3-8020	19.9	24.4	31.5	37.3	44.6	54.6	63.1	
	MGFA3-8030	29.3	35.9	46.3	54.8	65.5	80.2	92.6	

		Capacity in liters per minute at various pressures in bar.						
		Model	2 bar	3 bar	5 bar	7 bar	10 bar	15 bar
95°	MGFA3-9505	5.2	6.4	8.3	9.8	11.7	14.3	16.6
	MGFA3-9506	6.2	7.6	9.9	11.7	14.0	17.1	19.7
	MGFA3-9508	8.2	10.1	13.0	15.4	18.3	22.5	25.9
	MGFA3-9510	10.1	12.4	16.0	18.9	22.6	27.7	31.9
	MGFA3-9515	14.9	18.2	23.5	27.8	33.2	40.7	47.0
	MGFA3-9520	19.9	24.4	31.5	37.3	44.6	54.6	63.1
	MGFA3-9530	29.3	35.9	46.3	54.8	65.5	80.2	92.6

		Capacity in litres per minute at various pressures in bar.						
		Model	2 bar	3 bar	5 bar	7 bar	10 bar	15 bar
110°	MGFA3-11005	5.2	6.4	8.3	9.8	11.7	14.3	16.6
	MGFA3-11006	6.2	7.6	9.9	11.7	14.0	17.1	19.7
	MGFA3-11008	8.2	10.1	13.0	15.4	18.3	22.5	25.9
	MGFA3-11010	10.1	12.4	16.0	18.9	22.6	27.7	31.9
	MGFA3-11015	14.9	18.2	23.5	27.8	33.2	40.7	47.0
	MGFA3-11020	19.9	24.4	31.5	37.3	44.6	54.6	63.1
	MGFA3-11030	29.3	35.9	46.3	54.8	65.5	80.2	92.6



<b>Model no.</b>	MGFA3-xxxx
<b>Connection</b>	3/8" BSPP F
<b>Weight</b>	0.15 kg
<b>Size A</b>	80 mm.
<b>Size C</b>	100 mm.
<b>Hex.</b>	15 mm.